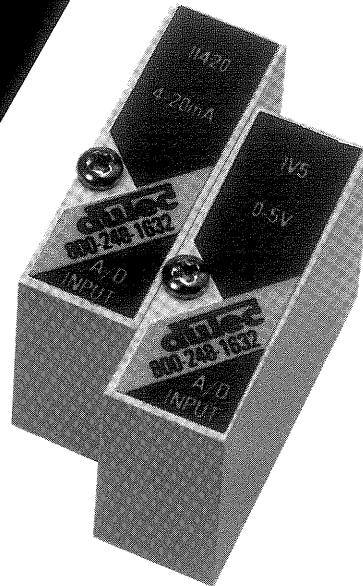


ANALOG INPUT MODULES

Voltage and Current Inputs

- **dutec Analog Input Modules** are the same size as industry standard digital modules.
- **dutec Analog Input Modules** fit in the same input/output module board as industry standard digital modules.
- **dutec Analog Input Modules** do not require special "analog only" boards.
- **dutec Analog Input Modules** do not require special, external or additional power supplies.
- **dutec Analog Input Modules** have true 12 bit resolution (.025% of full scale).



IV50M
IV100M
IV1
IV5
IV10
II420

dutec Analog Input Modules are the same size as industry standard digital (discrete) power I/O modules and feature module to module isolation. Control designers can now use standard I/O module boards—forget odd-sized special analog boards—and mix analog and digital modules on one board with just one power supply. The result—smaller, lower cost systems.

dutec Analog Input Modules are currently available for the following listed ranges:

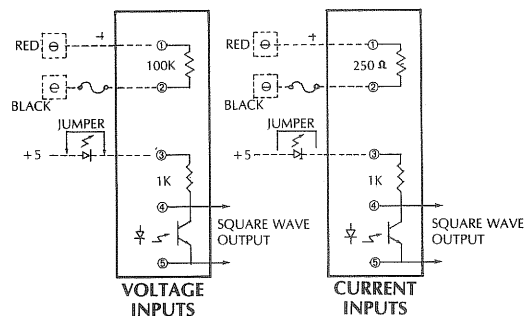
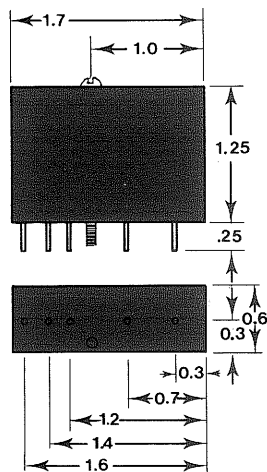
PRODUCT CODE	INPUT RANGE
IV50M	0 to +50mV
IV100M	0 to +100mV
IV1	0 to +1 Volts
IV5	0 to +5 Volts
IV10	0 to +10 Volts
II420	4 to 20mAmp

Select the **dutec** products required for your application, then call **dutec** and discover how easily installed and cost effective a **dutec** control system can be.

ANALOG INPUT MODULES SPECIFICATIONS

Module Type	INPUTS (Blue Label)	Input			Output Square Wave KHz	Performance @ 0° to 60°C					Power Current ¹ mAdc @ 5Vdc
		Input Range	Input Resist. Ohms	Resolution (12 Bits)		Accuracy % Full Scale @ 25°C	Offset Drift ppm/°C	Gain Drift ppm/°C	Isolation Volts Maximum	Common Mode Reject db	
IV50m	dc Volts	0-0.05Vdc	100K	12.2 uV	14.4-72.0	±0.1	±20	±55	1,500	>100	120
IV100m	dc Volts	0-0.1 Vdc	100K	24.4 uV	14.4-72.0	±0.1	±20	±55	1,500	>100	120
IV1	dc Volts	0-1 Vdc	100K	244.0 uV	14.4-72.0	±0.1	±20	±55	1,500	>100	120
IV5	dc Volts	0-5 Vdc	100K	1.22mV	14.4-72.0	±0.1	±20	±55	1,500	>100	120
IV10	dc Volts	0-10 Vdc	100K	2.44mV	14.4-72.0	±0.1	±20	±55	1,500	>100	120
II420	dc Current	4-20 mAdc	250	3.9 uA	14.4-72.0	±0.1	±20	±55	1,500	>100	120

¹ When used with industry standard digital I/O module boards, the indicating LED (in series with module pin 3) must be jumpered to provide 5 volts to the analog I/O modules.



OTHER duTec PRODUCTS							
ANALOG INPUT	ANALOG OUTPUT	DIGITAL INPUT	DIGITAL OUTPUT	TEMPERATURE INPUT	TEST/SWITCH MODULES	I/O PLEXER	STACK 65
IV50M	OV5	IAC5	OAC5	Thermocouple	T105	IOP-AD	S65-8P
IV100M	OV10	IAC5A	OAC5A	ITCJ ITCJ-1	S16	IOP-AD +	S65-16P
IV1	OI420	IDC5	ODC5	ITCK ITCK-1	S07	IOP-D	S65-32P
IV5		IDC5B	ODC5A	ITCR ITCR-1		IOP-D +	S65-64P
IV5B		IDC5S		ITCS ITCS-1		IOP-DE	S65-128P
IV10				ITCT-1			
IV10B				ITCE-1			
II420				Temperature Probe			
				ITP590			
				RTD			
				ITR100			
				ITR200			

Warranty

Warranted for 24 months from date of shipment to be free from defects in material and workmanship. Returned inoperative, ununused components will be repaired or replaced at no charge.



4801 James McDivitt Rd. P.O. Box 964 Jackson, Michigan 49204-0964
(517) 750-4700 in Michigan or 800-248-1632

© 1988 duTec inc.

Specifications
subject to change
without notice